

# ExcluLouvre® 2 & 3

Steel security louvres certified by LPCB to LPS 1175 Issue 7  
Levels SR2 AND SR3

## Applications

- Sub-stations
- Boiler rooms
- Refuse storage
- Plant rooms
- Generator rooms



# ExcluLouvre® 2 & 3

## Features

- Available with SR2 and SR3 security rating to LPS 1175 Issue 7.
- Louvre blades welded into a formed side member.
- No visible horizontal joints\*.
- Assembly height up to 5 metres\*.
- Modular lightweight sections each up to 2.5 metres wide\*.
- High visual impact.
- Complements Sunray's ExcluLouvre® Door SR2 & SR3 security rated louvred doorsets.
- Anti-vermin mesh to rear.
- Front face fixed top panel.
- Demountable frame.
- Sits within 100 x 50mm box frame.

\* Assembly/sections may be bolted together to fit structure.

## Frame

Flanged or non-flanged options.

## Air Flow

Approximately 42% free air.

## Optional Extras

- Powder coating finish.
- Demountable frame.
- Blanking to rear in lieu of anti-vermin mesh.
- Flanged front.

## Finish

Zinc phosphate primer as standard or there is the option of a wide selection of powder coated colours from our own factory powder coating facility.

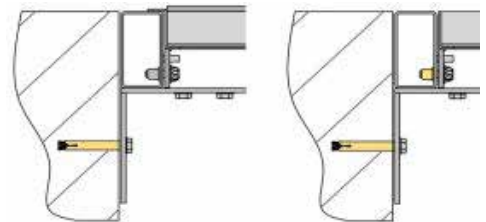
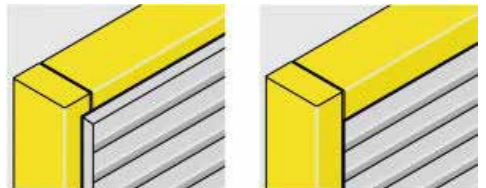
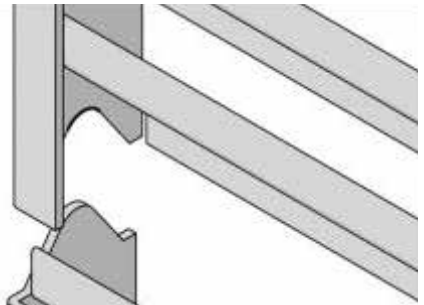
## Louvres

Modular, lightweight, stackable louvre panels with unique interlocking system.

Standard blade thickness is 2.5mm.

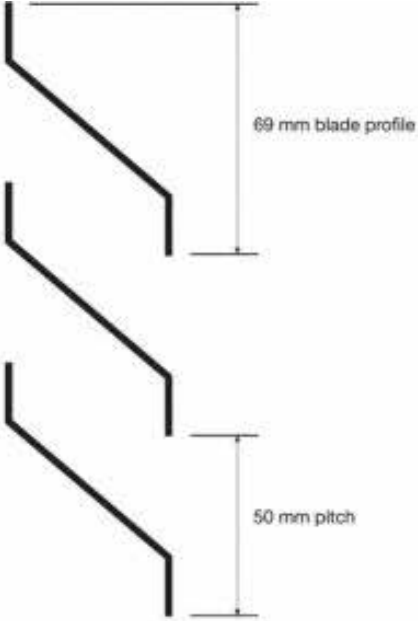
Pitch is 50mm.

Flanged or non-flanged options.



# ExcluLouvre® 2 & 3

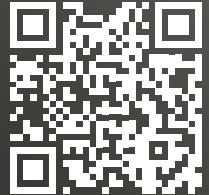
## Blade Profile and Pitch



**Sunray Doors**  
**An Assa Abloy Group Company**

Sunray Engineering Ltd  
Kingsnorth Industrial Estate  
Wotton Road, Ashford  
Kent TN23 6LL

+44 (0)1233 639039  
sales@sunraydoors.co.uk  
www.sunraydoors.co.uk



**Bespoke Design Services**

Complementing our standard door ranges we also offer a complete, bespoke design service to suit specific client needs or to overcome site/building constraints.

**Sunray Installation Service**

We offer a full installation service covering our complete range of steel door and louvre systems. Work is carried out by our own qualified factory-skilled operatives and not sub-contractors.

Procedures are audited and our installation process is approved and certified by CHAS, Safe Contractor, Achilles Building Confidence and Achilles UVDB.

Sunray's Installation Service is certified by the LPCB/BRE to LPS 1271 for security and fire doors.

**Nationwide Delivery Service**

Specialist transport service includes curtain sider lorries with Moffett facility, flat bed lorries with HIAB facility and lightweight vans as applicable.



ExcluGrille® 1 to 4



Registered in England Registered No: 1480089 VAT No: 630851070